



CONDENSING GAS FIRED BOILER

Models

MAHF-125, MACF-150

MAHF-165, MACF-205

PARTS, KITS & OPTIONAL ACCESSORIES

ORDERING INSTRUCTIONS
ORDER PARTS THROUGH YOUR NEAREST SUPPLIER.
WHEN ORDERING PARTS, OBTAIN MODEL NUMBER AND SERIAL NUMBER FROM DATA
PLATE ON YOUR BOILER.
INCLUDE FOLLOWING INFORMATION WHEN ORDERING.

PART NUMBER _____

PART DESCRIPTION _____

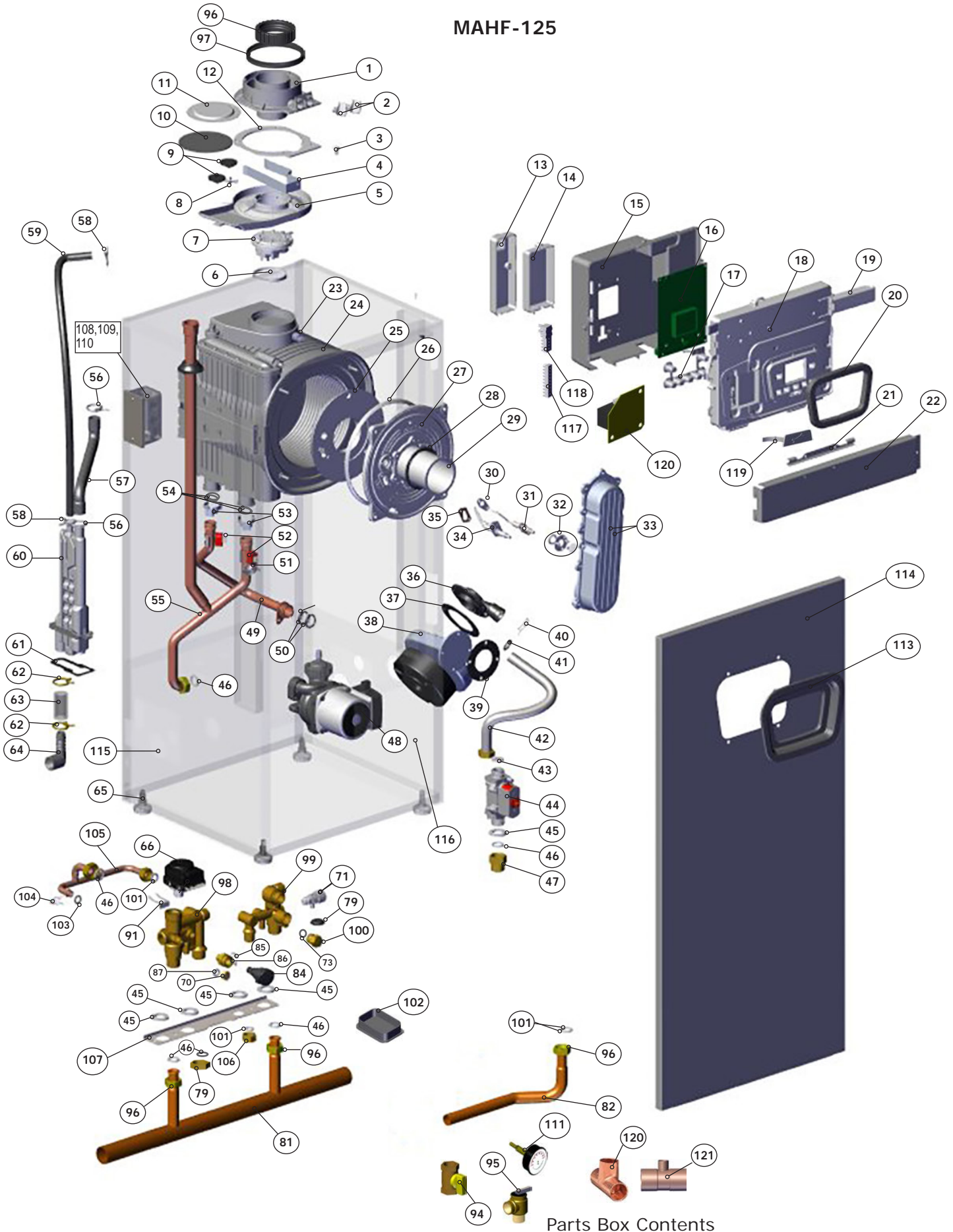
BOILER MODEL NUMBER _____

BOILER SERIAL NUMBER _____



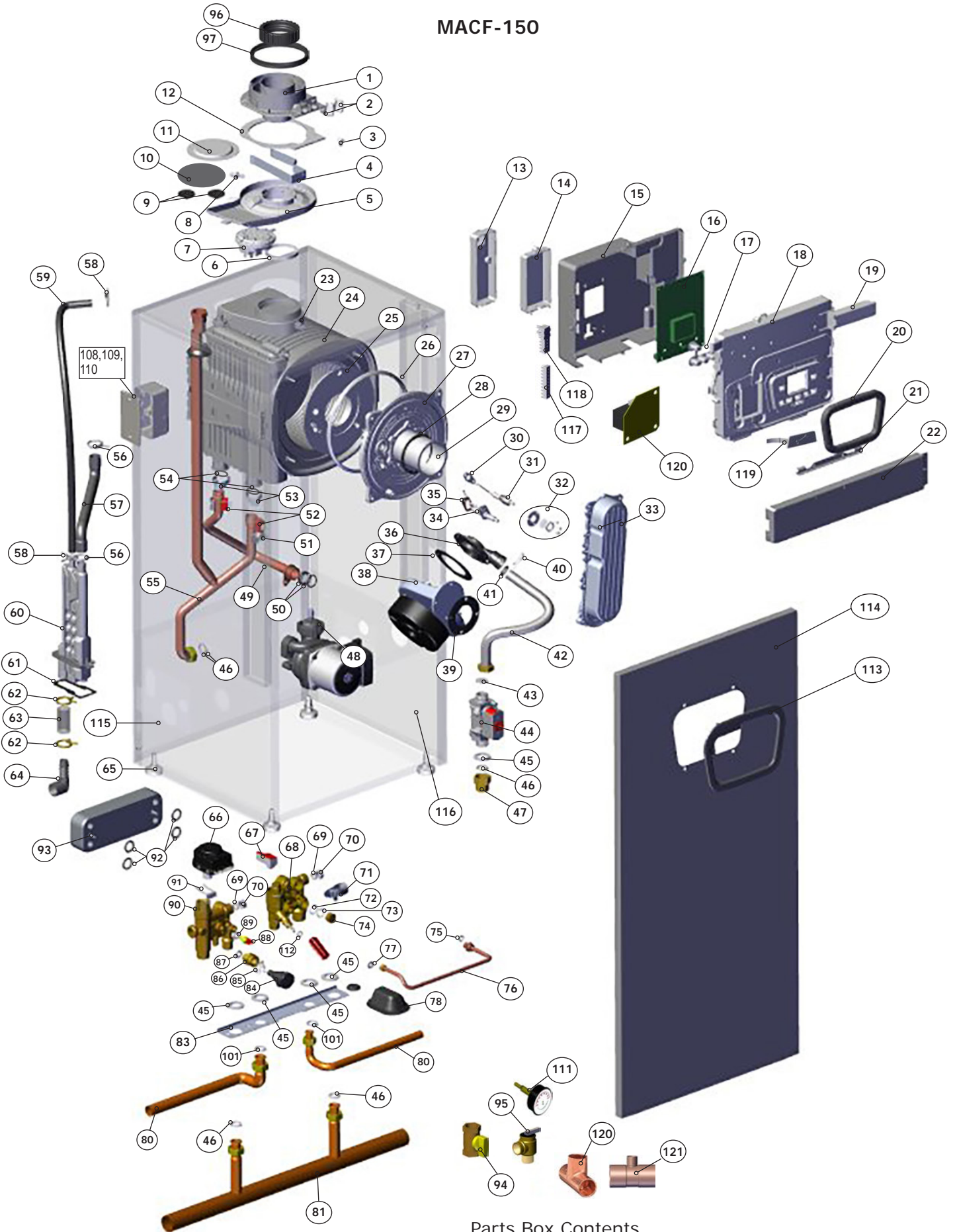
Manufactured by:
ECR International Inc.
2201 Dwyer Avenue, Utica, NY 13501
Tel. 800 253 7900
www.ecrinternational.com
PN240012877 REV. A [01/31/2020]

MAHF-125



Parts Box Contents

MACF-150



Parts Box Contents

PARTS AND ACCESSORIES - 125/150

ITEM	PN	DESCRIPTION	MAHF 125	MACF 150
1	BD711085102V	FLUE ADAPTOR 60/100	●	●
2	BD7718578	TEST POINT PLUG SCREW HOLE	●	●
3	BD000005409571	PRESSURE CONNECTION	●	●
4	BD711085501V	FLUE SUPPORT BRKT	●	●
5	BD710282302V	CONDENSATE SUMP 80/60	●	●
6	BD710108001V	SEAL D.60 - SUMP	●	●
7	BD000005679722	PRESSURE SWITCH HUBA 400	●	●
8	BD711088501V	PRESSURE CONNECTION	●	●
9	BD710117301V	CABLE FIXING GROMMET	●	●
10	BD7103005V	GSKT,RING,CVR PLT,TWIN PIPE	●	●
11	BD710300601V	CVR PLT,TWIN PIPE	●	●
12	BD710107601V	FLUE ADAPTOR GASKET	●	●
13	BD711075601V	TERMINAL BLOCK COVER	●	●
14	BD711075801V	CLIP-IN COVER V0	●	●
15	BD711075102V	CONTROL PANEL REAR	●	●
16	550003746	KIT,RPLMT,CTRL,0-10V,ALL+	●	●
17	BD710126301V	7-BUTTON KEYPAD	●	●
18	BD711074801V	CONTROL BOX FACIA	●	●
19	BD711075501V	CONTROL PANEL SUPPORT ARM	●	●
20	240012611	GSKT,A/I CTRL FACE,,50 THK	●	●
21	BD710014402V	CONTROL BOX HINGE	●	●
22	109010174	UPPER CONTROL SUPPORT	●	●
23	BD711180100	NTC SNSR(HTEX)	●	●
24	BD711447001V	HEAT EXCHANGER BASIC	●	●
25	BD5411020	INSULATING PANEL	●	●
26	BD710111502V	COMB CHAMBER GASKET	●	●
27	BD711571000	COMBUSTION CHAMBER UPPER COVER	●	●
28	BD711408002V	GASKET, BURNER	●	●
29	550003155	BURNER 125/150 (KIT)	●	●
30	BD710185201V	FLAME SENSING ELECTRIC GASKET	●	●
31	550003151	FLAME SENSOR,B&P (KIT)	●	●
32	550003157	SIGHT GLASS REPLACEMENT (KIT)	●	●
33	BD711187501V	AIR GAS MNFLD	●	●
34	550003152	ELECTRODE IGNITION (KIT)	●	●
35	BD710185302V	GSKT,IGN,PEN	●	●
36	BD710458104V	MIXER PL30 C1500107 (GAS TRAIN)	●	●
37	BD710042401V	VENTURI,GASKET MIXER TO FAN	●	●
38	550003154	FAN NRG 118 (INDUCER) (KIT)	●	●
39	BD5410900	VENTURI GASKET	●	●
40	BD710011401V	CLIP - FIXING GAS PIPE	●	●
41	BD710061402V	O-RING 18X3 NBR	●	●
42	BD711007101V	FLEXIBLE GAS PIPE 6 E	●	●
43	BD710458501V	GAS NOZZLE B&P D.5,8	●	●
44	BD766630601V	GAS VLV B&P SGV101	●	●
45	BD710039501V	HYDRAULIC GROUP GASKET	●	●
46	BD710113001V	GASKET G3/4 17X24X2	●	●
47	BD722270601V	ADPTR,G3/4X3/4 NPT,BRS	●	●

ITEM	PN	DESCRIPTION	MAHF 125	MACF 150
48	BD710786502V	PUMP UPR 15-58 2VEL L4 120V	●	●
49	BD711425802V	ASSY PIPE PUMP - EXCHANGER	●	●
50	BD710963001V	O-RING 21,5X3 EP7	●	●
51	BD710626001V	OVERTEMP. THERMOSTAT	●	●
52	BD722143801V	SNSR,WTR,22MM BRKT,12K NTC 3%	●	●
53	BD721623501V	FIXING CLIP - HEX PIPES	●	●
54	BD000005411331	O-RING 20,24X2,62	●	●
55	240012555	ASSY,FLOW PIPE,TEE	●	●
56	BD710151101V	SPRING CLIP BIFM252	●	●
57	BD766859301V	HOSE,HTEX,SIPHON,HO	●	●
58	BD710111001V	SPRING CLIP BIFM182	●	●
59	BD710066001V	HOSE - SUMP/TRAP	●	●
60	BD765674901V	SIPHON,H220,240	●	●
61	BD721696402V	GSKT,SIPHON,240	●	●
62	BD710111201V	WIRE SPRING BIFM	●	●
63	BD710079501V	PIPE CONDENSATE DISCHARGE	●	●
64	240008257	ELB,90°,PVC,3/4"BARBX1/2"NPT FML	●	●
65	14631091	LEG,ADJ,GLIDE,CO-2366	●	●
66	550003166	ELBI MOTOR 120V (KIT)	●	●
67	BD710189401V	FLOW DETECTOR,RED		●
68	BD767360001V	DHW CH RETURN BLOCK ASSY		●
69	BD769728001V	GASKET.6,1X11.5X2.0	●	●
70	BD000005202001	CUP NUT M14X1	●	●
71	BD710188101V	DRAIN TAP	●	●
72	BD000005405831	O-RING 16X2 EP-37	●	
73	240011438	ORING,15X2,EP		●
74	240011437	PLUG,BRS,		●
75	BD710107801V	O-RING 8,73X1,78	●	●
76	BD711052301V	FILLING PIPE ASSY		●
77	BD710121501V	GASKET G3/8 8X15X		●
78	BD710156201V	SEAL - FILLING TAP		●
79	BD710267101V	CUP NUT G 3/4	●	
80	240012567	PIPE,DHW,FLR		●
81	240012557	MNFLD,HDR,FLR	●	●
82	240012608	PIPE,EX TANK,FLR	●	
83	BD710168304V	HYDRAULIC SUPPORT BRACKET		●
84	BD710109101V	PRESSURE SENSOR	●	●
85	BD710188902V	FIXING CLIP	●	●
86	BD710168401V	ADAPTER - PRESSURE SENSOR	●	●
87	BD769728001V	GASKET.6,1X11.5X2.0	●	●
88	550003159	NTC SENSOR HONEYWELL-S011026 (KIT)		●
89	BD710189001V	GASKET 9,7X15X2		●
90	BD7720211	3-WAY VALVE BLOCK		●
91	BD710188501V	FIXING CLIP - 3WAY VALVE MOTOR	●	●
92	BD722275601V	O-RING 18.3X3.6 R15-		●
93	550003153	DHW 20-PLATE EXCHANGER (KIT)		●

NS= NOT SHOWN

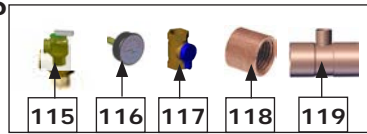
PARTS AND ACCESSORIES 125/150

ITEM	PN	DESCRIPTION	MAHF 125	MACF 150
94	BD000005643331	GAS BALL VALVE G3/4 NPT	●	●
95	VR-001.01	VLV,RLF,ASME,30PSI,3/4 (10-407-05)	●	●
96	BD710107101V	SEAL D.100 - FLUE ADAPTOR	●	●
97	BD710107401V	SEAL D.60 - FLUE ADAPTOR	●	●
98	BD710266901V	3-WAY VALVE BLOCK - SYSTEM	●	
99	BD710735501V	DHW CH RETURN BLOCK ASSY-SYSTEM	●	
100	BD000005212641	PLUG,BRS	●	
101	BD710113601V	GASKET G1/2 AFM	●	●
102	BD721583002V	FILLING CAP	●	
103	BD710108401V	ANELLO OR 11,91X2,62	●	
104	BD710188902V	FIXING SPRING	●	
105	BD710267001V	ASSY BY-PASS PIPE SYSTEM	●	
106	BD000005201351	CUP NUT G 1/2	●	
107	BD710235103V	HYDRAULIC SUPPORT BRACKET	●	
108	212000017	BOX,JCT,2"X4"X1-7/8",RACO 660	●	●
109	BD711634101V	CABLE FIXING NUT	●	●
110	BD711635101V	CABLE FIXING D.4,8	●	●
111	1260006SP	GA,TEMP/PRESS, 2"SHANK,1PC,SNGL	●	●
112	BD710107801V	O-RING 8,73X1,78	●	●
113	240011307	BEZEL,WNDW,	●	●
114	550003698	KIT, RPLMT, PNL, FRNT	●	●
115	550003700	KIT, RPLMT, PNL, LT	●	●
116	550003702	KIT, RPLMT, PNL. RT	●	●
117	BD710117901V	10-POLE TERMINAL BLOCK PA3	●	●
118	BD000005688441	5-POLE TERMINAL BLOCK W/ DOUBLE	●	●
119	BD710020102V	SERVICE CONNECTOR RUBBER	●	●
120	BD5677892	INTERFACE BOARD	●	●
121	240012852	BUSHING, FLUSH, COPPER, 1/2"X1/4"	●	●
122	240012853	COPPER TEE 1-1/4"X2-1/4"X1/2"		●
	240012883	COPPER TEE 1-1/2"X1-1/2"X1/2"	●	
NS	BD767486200	INLET FILTER 150		●
NS	BD710283700	HTEX REAR INSULATION	●	●

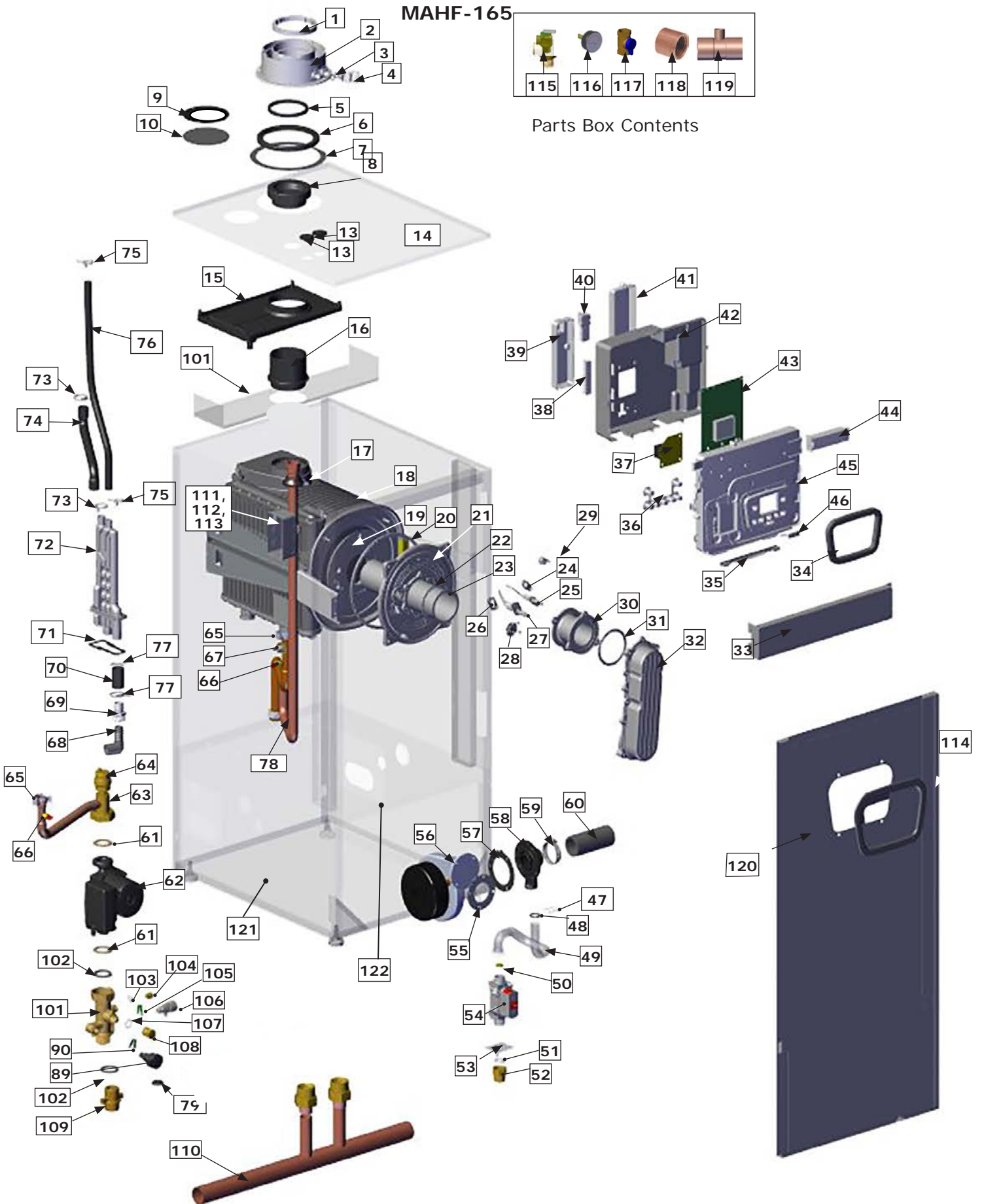
WIRE HARNESSSES				
NS	BD710127501V	FLAME SENSOR CABLE	●	●
NS	BD710992901V	REMOTE CONTROL WIRING HARNESS	●	●
NS	240012550	HARN,VLV,FLR MNT		●
NS	240012551	HARN,GAS VLV,FLR MNT	●	●
NS	240012552	HARN,LV,FLR MNT,	●	
NS	BD710993201V	VENTILATOR PWM WIRING HARNESS	●	●
NS	240012548	HARN,PCB,BARTELLI,FLR MNT,	●	●
NS	240012667	HARN,NTC/EXT SNSR,FLR MNT		●
NS	BD7732244	EXTERNAL SENSOR WIRING X20	●	
NS	BD710993405V	PCB B&P WIRING HARNESS	●	●
NS	BD710993702V	THERMOSTAT WIRING	●	●
NS	BD710993801V	EARTH CABLE - ELECTRODE,X2 IGNITOR	●	●
NS	240012572	HARN,PWR	●	●
NS	BD711250601V	IGNITION ELECTRODE WIRE	●	●
NS	BD711065801V	HARN,FLUE NTC SNSR	●	●
NS	BD711265102V	INTERFACE BOARD CONNECTOR	●	●

NS= NOT SHOWN

MAHF-165

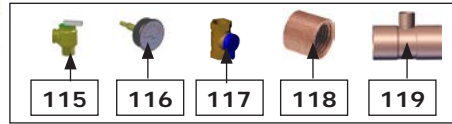


Parts Box Contents

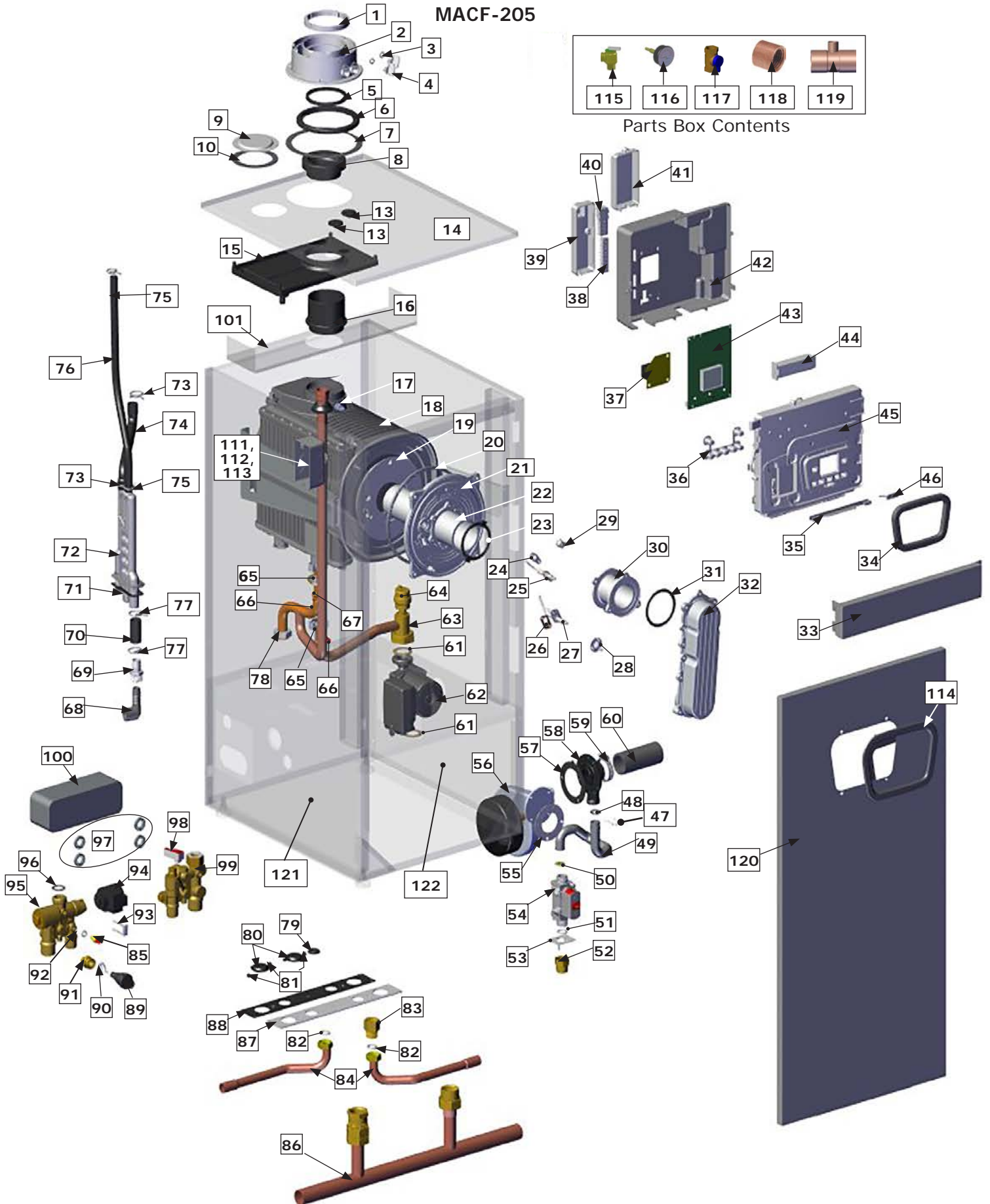


PARTS AND ACCESSORIES

MACF-205



Parts Box Contents



PARTS AND ACCESSORIES 165/205

ITEM	PN	DESCRIPTION	MAHF 165	MACF 205
1	BD5410870	GASKET, SEALING, TOP, 80MM	●	●
2	BD000005670522	FLUE ADAPTOR	●	●
3	BD710107801V	O-RING 8.3X1.78	●	●
4	BD710107701V	TEST POINT PLUG	●	●
5	BD5410850	GASKET, FLUE, 80MM	●	●
6	BD5410860	GASKET, FLUE, 125MM	●	●
7	BD000005410712	SEAL, FLUE ADAPTER, 80	●	●
8	BD767373901V	SEAL, COND TRAY	●	●
9	BD5108690	TWIN PIPE BLANKING PLATE	●	●
10	BD7103005V	GASKET COVERPLATE TWIN PIPE	●	●
12	240010626	GROMMET, 7/8" ID X 1-1/4" OD	●	●
13	BD710117302V	CABLE GROMMET	●	●
14	109010365	TOP PANEL	●	●
15	BD767553501V	CONDENSATE TRAY	●	●
16	BD767370101V	FLUE ADAPTER TO HEAT EXCHANGER	●	●
17	BD711180100	NTC FLUE SENSOR (HTEX)	●	●
18	BD711163601V	HEAT EXCHANGER ISOTHERMIC	●	●
19	BD7676392	INSULATION BURNER DOOR	●	●
20	BD722003801V	SEAL HTEX DOOR, FRONT	●	●
21	BD766847401V	HEAT EXCHANGER FOOR, ALUMINUM	●	●
22	BD711408002V	GASKET, BURNER	●	●
23	550003156	BURNER, 70/90 KW (KIT)	●	●
24	BD710185201V	FLAME SENSING ELECTRIC GASKET	●	●
25	550003151	FLAME SENSOR,B&P (KIT)	●	●
26	BD710185302V	GSKT,IGN,PEN	●	●
27	550003152	ELECTRODE IGNITION (KIT)	●	●
28	550003157	SIGHT GLASS REPLACEMENT KIT	●	●
29	BD711427701V	SAFETY TSTAT 260°C	●	●
30	BD000005212922	SPACER, EXTENTION	●	●
31	BD710624301V	BURNER GASKET	●	●
32	BD711187501V	AIR GAS MANIFOLD	●	●
33	109010174	CONTROL BRACKET	●	●
34	240012611	GASKET AI CONTROL FACE	●	●
35	BD710014402V	CONTROL BOX HINGE	●	●
36	BD710126300	7 PUSH BUTTON PANEL	●	●
37	BD711265102V	INTERFACE BOARD	●	●
38	BD710117901V	10 POLE TERMINAL BLOCK PA3	●	●
39	BD711075601V	TERMINAL BLOCK COVER	●	●
40	BD000005688441	5-POLE TERMINAL BLOCK W/DOUBLE FUSE	●	●
41	BD711075801V	CLIP-IN COVER	●	●
42	BD711075102V	CONTROL PANEL REAR	●	●
43	BD7721031	PCB BOARD W/KEY	●	●
44	BD711075501V	CONTROL PANEL SUPPORT ARM	●	●
45	BD711074801	CONTROL BOX FACIA	●	●
46	BD710020102V	SERVICE CONNECTOR RUBER	●	●
47	BD710011401V	CLP FIXING GAS PIPE	●	●
48	BD710061402V	O-RING 18X3	●	●

ITEM	PN	DESCRIPTION	MAHF 165	MACF 205
49	BD769059001V	FLEXIBLE GASE PIPE	●	●
50	BD768414801V	GAS NOZZLE 9MM DIA	●	●
51	BD710113001V	GASKET G3/ 17X24X2	●	●
52	BD722270601V	ADPTR,G3/4X3/4 NPT,BRS	●	●
53	BD721567101	GAS VALVE GASKET	●	●
54	BD766630601V	GAS VALVE	●	●
55	BD5411420	VENTURI GASKET	●	●
56	550003454	FAN NRG 118 (INDUCER) (KIT)	●	●
57	BD710042401V	VENTURI GASKET MIXER TO FAN	●	●
58	BD710458104V	MIXER PL30	●	●
59	240011916	CLAMP, HOSE, 1-7/16" TO 2" WD	●	●
60	240011913	HOSE, RUBBER, 1-1/2" X 1-3/4" OD	●	●
61	BD5411420	CIRCULATOR PUMP GASKET	●	●
62	BD710715302V	AIR VENT PUMP (165/205)	●	●
63	BD766949001V	RETURN PIPE (205)	●	●
	BD722270001V	RETURN PIPE 1.70 (165)	●	●
64	BD710715302V	AIR VENT VALVE G 3/8	●	●
65	BD721623501V	FIXING CLIP	●	●
66	BD710831501V	TEMPERATURE SENSOR - WELL	●	●
67	BD710626001	OVERTEMP. THERMOSTAT	●	●
68	240008257	ELB,90°,PVC,3/4"BARBX1/2"NPT FML	●	●
69	240008838	CPLG,3/4"MLX,75"BRB,+	●	●
70	240011904	HOSE,EPDM,BLK,1"OD,.75ID,+	●	●
71	BD721696402V	GASKET, CONDENSATE	●	●
72	BD765674901V	CONDENSATE COLLECTOR	●	●
73	BD710151101V	SPRING CLIP BIFM252	●	●
74	BD7668593	HOSE,HTEX,CONDENSATE	●	●
75	BD710111001V	SPRING CLIP BIFM182	●	●
76	BD766859801V	HOSE, CONDENSATE DRAIN	●	●
77	BD710111201V	WIRE SPRING BIFM	●	●
78	240012865	ASSY, FLOW PIPE, TEE (165)	●	●
	240012862	ASSY, FLOW PIPE TEE (205)	●	●
79	BD710189600	PLASTIC PLUG FASTPOINT	●	●
80	240011967	PLUG 1-3/8" POLY	●	●
81	240011968	PLUG, .281 NYLON	●	●
82	BD710113001	GASKET G 3/4 17X24X2	●	●
83	240011951	FLOW RESTRICTOR, 5 GPM,	●	●
84	240012863	DHW PIPE (205)	●	●
85	550003159	HONEYWELL NTC SENSOR (KIT)	●	●
86	240012834	HEADER MANIFOLD, (205)	●	●
	240012835	HEADER MANIFOLD (165)	●	●
87	109010007	PLATE, CHS (250)	●	●
88	BD769645401V	SEAL, HYDRAULIC	●	●
89	BD710109101V	PRESSURE SENSOR	●	●
90	BD710188902V	FIXING CLIP	●	●
91	BD710168400	FILLING TAP GASKET	●	●

NS= NOT SHOWN

PARTS AND ACCESSORIES 165/205

ITEM	PN	DESCRIPTION	MAHF 165	MACF 205
92	BD769728001V	GASKET 6.1X11.5X2.0		●
93	BD710188501V	FIXING CLIP THREE WAY MOTOR		●
94	240012162	THREE WAY MOTOR		●
95	240012165	SUPPLY BLOCK / 3 WAY VALVE ASSY 205		●
96	BD000005405001	GASKET G1 22 X 30.3 X 2		●
97	BD722275601V	O-RING 18.3X3.6 R15-		●
98	BD710189401V	FLOW DETECTOR, RED		●
99	240012165	SUPPLY BLOCK ASSY (205)		●
100	550003455	DHW PLATE HEAT EXCHANGER (KIT)		●
101	BD711238101V	INLET ELEMENT GI	●	
102	BD710397801V	GASKET G 31X42 FOAM	●	
103	BD710045702V	O-RING 9.19X2.62	●	
104	240011671	PLUG, PRESSURE	●	
105	BD70110601V	CLIP	●	
106	BD710188101V	DRAIN TAP	●	
107	BD000005405831	O-RING 16X2	●	
108	BD000005212641	BRASS PLUG	●	
109	BD711237001V	NIPPLE G1" X 1" NPT	●	
110	240012835	MANIFOLD HEADER	●	
111	212000017	BOX,JCT,2"X4"X1-7/8",RACO 660	●	●
112	BD711634101V	CABLE FIXING NUT	●	●
113	BD711635101V	CABLE FIXING D.4,8	●	●
114	240012611	GASKET, AI CONTROL FACE .50 THICK	●	●
115	VR00101	ASME SAFETY RELIEF VALVE 3/4" 30PSI	●	●
116	1260006SP	TEMP/PRESSURE 2" SHANK	●	●
117	BD00000564333	GAS BALL VALVE G3/4 NPT	●	●
118	240012852	BUSHING, FLUSH, COPPER, 1/2"X1/4"	●	●
119	240012853	COPPER TEE 1-1/4"X2-1/4"X1/2"		●
	240012883	COPPER TEE 1-1/2"X1-1/2"X1/2"	●	
120	550003698	KIT, RPLMT, PNL, FRNT	●	●
121	550003874	KIT, RPLMT, PNL, LT	●	●
122	550003875	KIT, RPLMT, PNL. RT	●	●
NS	BD710283700	HTEX REAR INSULATION	●	●
NS	BD767486200	INLET FILTER		●

WIRE HARNESSSES				
ITEM	PN	DESCRIPTION	MAHF 165	MACF 205
NS	BD710127501V	FLAME SENSOR CABLE	●	●
NS	BD710992901V	REMOTE CONTROL WIRING HARNESS	●	●
NS	240012551	HARN,GAS VLV,X36	●	●
NS	240012869	HARN,LV,FLR MNT, X22, 165	●	
NS	240012859	HARN,LV,FLR MNT, X22, 205		●
NS	BD767084501V	VENTILATOR X23 WIRING HARNESS	●	●
NS	240012860	HARN,FAN, PUMP POWER, X11	●	●
NS	240012861	HARN,3 WAY VALVE, X13		●
NS	BD710993405V	PCB, B&P WIRING HARNESS	●	●
NS	240012667	HARN, NTC/EXT SNSR,X20 0-10V	●	●
NS	240012572	HARN,PWR	●	●
NS	BD768243201V	HARN, TEMP SWITCH X37	●	●
NS	BD710993801V	EARTH CABLE - ELECTRODE, X2 IGNITOR	●	●

NS= NOT SHOWN

JACKET KITS

550003698 FRONT JACKET REPLACEMENT KIT INCLUDES:						
DESCRIPTION	QTY	125	150	165	205	
KIT,JKT,FRNT	1	●	●	●	●	

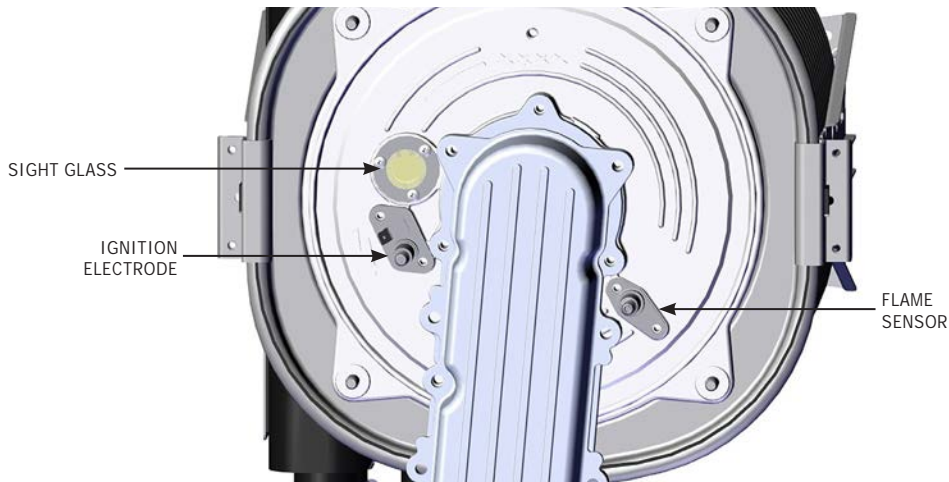
KIT 550003700- LEFT SIDE JACKET REPLACEMENT KIT 125/150 - INCLUDES:				
DESCRIPTION	QTY	125	150	
JKT,SIDE,LT,	1	●	●	

KIT 550003874- LEFT SIDE JACKET REPLACEMENT KIT 165/205 - INCLUDES:				
DESCRIPTION	QTY	165	205	
JKT,SIDE,LT,	1	●	●	

KIT 550003702 - RIGHT SIDE JACKET REPLACEMENT KIT 125/150 - INCLUDES:				
DESCRIPTION	QTY	125	150	
JKT,SIDE,RT,	1	●	●	

KIT 550003875- RIGHT SIDE JACKET REPLACEMENT KIT 165/205- INCLUDES:				
DESCRIPTION	QTY	165	205	
JKT,SIDE,RT,	1	●	●	

SIGHT GLASS, FLAME SENSOR, AND IGNITION ELECTRODE REPLACEMENT KITS



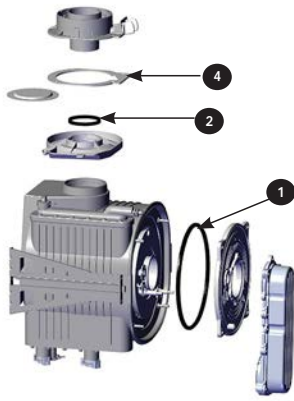
KIT 550003157 - SIGHT GLASS REPLACEMENT KIT						
PN	DESCRIPTION	QTY	125	150	165	205
BD710112202V	SIGHT GLASS GASKET	1	●	●	●	●
BD710112101V	SIGHT GLASS	1	●	●	●	●
240011403	INSTRUCTIONS	1	●	●	●	●

KIT 550003151 - FLAME SENSOR REPLACEMENT KIT						
PN	DESCRIPTION	QTY	125	150	165	205
BD711010802V	FLAME SENSOR,B&P	1	●	●	●	●
BD710185201V	FLAME SENSING ELECTRIC GASKET	1	●	●	●	●
240012293	WRENCH,HEX,3MM	1	●	●	●	●
240011397	INSTRUCTIONS	1	●	●	●	●

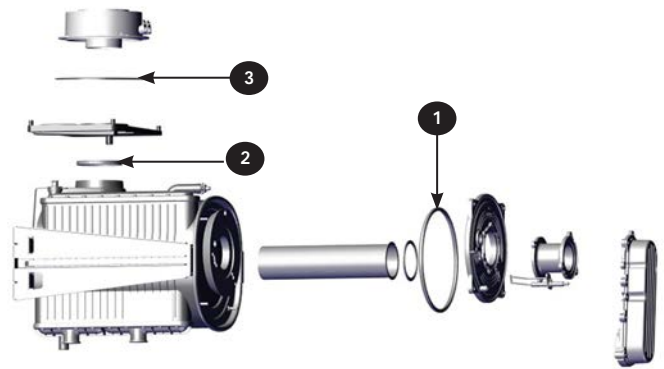
KIT 550003152 -IGNITION ELECTRODE REPLACEMENT KIT						
PN	DESCRIPTION	QTY	125	150	165	205
BD711010702V	ELECTRODE IGNITION	1	●	●	●	●
BD710185302V	GSKT,IGN,PEN	1	●	●	●	●
240012293	WRENCH,HEX,3MM	1	●	●	●	●
240011398	INSTRUCTIONS	1	●	●	●	●

COMBUSTION CHAMBER GASKET REPLACEMENT KIT

125F/150F



165F/205F



KIT 550003156 - COMBUSTION CHAMBER GASKET REPLACEMENT KIT 125/150 - KIT INCLUDES:					
POS	PN	DESCRIPTION	QTY	125	150
1	BD710111502V	COMBUSTION CHAMBER GASKET	1	●	●
2	BD710108001V	GASKET WITH DOUBLE LIP (CONDENSATE TRAY)	1	●	●
3	BD710107601V	FLUE ADAPTER GASKET	1	●	●
NS	BD000005411030	GASKET (WATER TRAY TO HEAT EXCHANGER)	1	●	●
NS	240011402	INSTRUCTIONS	1	●	●

KIT 550003458 - COMBUSTION CHAMBER GASKET REPLACEMENT KIT 165/205 - KIT INCLUDES:					
POS	PN	DESCRIPTION	QTY	165	205
1	BD722003801V	SEAL HEAT EXCHANGER DOOR FRONT	1	●	●
2	BD76373901V	GASKET WITH DOUBLE LIP (CONDENSATE TRAY)	1	●	●
3	BD00000541071	FLUE ADAPTER GASKET	1	●	●
NS	BD000005411030	GASKET (WATER TRAY TO HEAT EXCHANGER)	1	●	●
NS	BD00000521278	FIBERGLASS ROPE GASKET (DOOR)	1	●	●
NS	BD710113001V	GASKET G3/4 17X24X2	1	●	●
NS	240012082	INSTRUCTIONS	1	●	●

BURNER REPLACEMENT KIT

125F/150F



165F/205F



KIT 550003155 - BURNER REPLACEMENT KIT 125/150 - KIT INCLUDES:					
POS	PN	DESCRIPTION	QTY	125	150
1	BD77282712	BURNER	1	●	●
2	BD711408002V	GASKET, BURNER, ASSY	1	●	●
NS	240011401	INSTRUCTIONS	1	●	●

KIT 550003456 - BURNER REPLACEMENT KIT 165/205 - KIT INCLUDES:					
POS	PN	DESCRIPTION	QTY	165	205
1	BD77282712	BURNER, 55KW	1	●	●
2	BD711408002V	GASKET, BURNER, ASSY	1	●	●
NS	240011401	INSTRUCTIONS	1	●	●

NS= NOT SHOWN

FAN, AIR MIXER, REPLACEMENT KIT

125F/150F



165F/205F



KIT 550003154 - REPLACEMENT, FAN KIT 125F/150F - KIT INCLUDES:

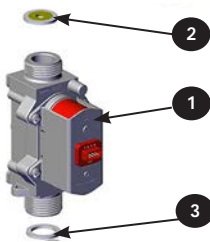
POS	PN	DESCRIPTION	QTY	125	150
1	BD711073902V	FAN NRG118 115W 120V (INDUCER)	1	●	●
2	BD710042401V	VENTURI, GASKET MIXER TO FAN	1	●	●
3	BD710115601V	GASKET, MIXER TO AIR/GAS DUCT	1	●	●
NS	BD710011401V	CLIP - FIXING GAS PIPE	1	●	●
NS	BD710061402V	O-RING 18X3 NBR	2	●	●
4	BD711408002V	GASKET, BURNER	1	●	●
-	240011400	INSTRUCTIONS	1	●	●

KIT 550003454 - REPLACEMENT, FAN KIT 165F/205F- KIT INCLUDES:

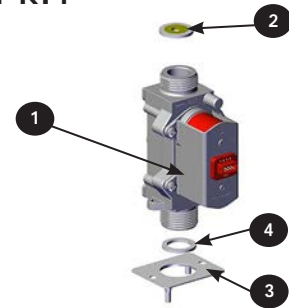
POS	PN	DESCRIPTION	QTY	165	205
1	BD769577901V	FAN NRG118 115W 120V (INDUCER)	1	●	●
2	BD710042401V	VENTURI GASKET MIXER TO FAN	1	●	●
3	BD710115602V	GASKET, MIXER TO AIR/GAS DUCT	1	●	●
4	BD710011401V	CLIP - FIXING GAS PIPE	1	●	●
5	BD710061402V	O-RING 18X3 NBR	2	●	●
6	BD710114502V	GASKET BURNER SPACER EXTN	1	●	●
NS	240011400	INSTRUCTIONS	1	●	●

GAS VALVE REPLACEMENT REPLACEMENT KIT

125F/150F



165F/205F



KIT 550003535 - REPLACEMENT, FAN MIXER KIT 125/150- KIT INCLUDES:

POS	PN	DESCRIPTION	QTY	125	150
1	BD766630601V	GAS VALVE B & P	1	●	●
2	BD710458501V	GAS NOZZLE B&P D5.8	1	●	●
3	BD710039501V	HYDRAULIC GROUP GASKET	1	●	●
NS	BD710090801V	SCREW M5X12 TCEI 8.8	2	●	●
NS	BD710113001V	GASKET G3/4 17X24X2	1	●	●
NS	240012264	INSTRUCTIONS	1	●	●

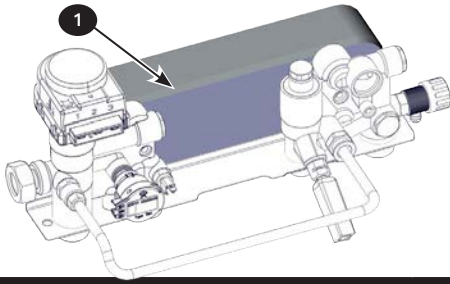
KIT 550003536 - REPLACEMENT, FAN MIXER KIT 165/205- KIT INCLUDES:

POS	PN	DESCRIPTION	QTY	165	205
1	BD766630601V	GAS VALVE B & P	1	●	●
2	BD768414801V	GAS NOZZLE B&P 9MM DIA	1	●	●
3	BD721567101V	GAS VALVE GASKET	1	●	●
4	BD710113001V	GASKET G3/4 17X24X2	1	●	●
NS	BD710090801V	SCREW M5X12 TCEI 8.8	2	●	●
NS	240012265	INSTRUCTIONS	1	●	●

NS= NOT SHOWN

150F

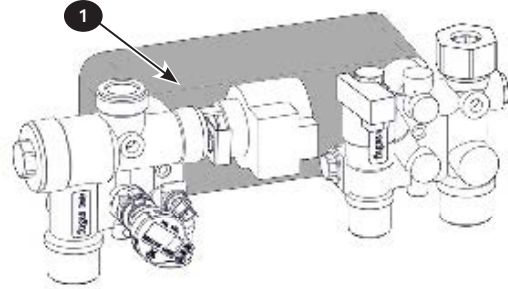
DHW PLATE REPLACEMENT KIT WITH GASKETS



**KIT 550003153 - DHW PLATE REPLACEMENT KIT WITH GASKETS
150 - KIT INCLUDES:**

POS	PN	DESCRIPTION	QTY	150
1	BD711612501V	DHW PLATE EXCHANGER 20 PLATES	1	●
NS	BD722275601V	DHW PLATE EXCHANGER O-RING	4	●
NS	240011399	INSTRUCTIONS	1	●

205F

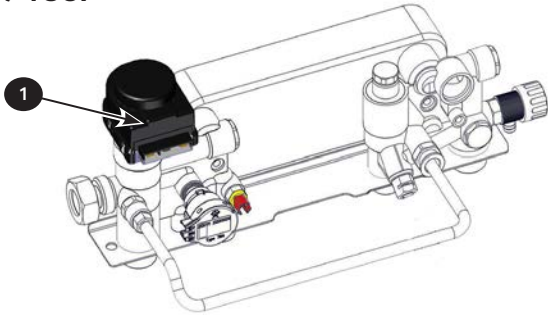


**KIT 550003455 - DHW PLATE REPLACEMENT KIT WITH GASKETS
205 - KIT INCLUDES:**

POS	PN	DESCRIPTION	QTY	205
1	240012161	DHW PLATE EXCHANGER 6+ PLATES	1	●
NS	BD5404520	DHW PLATE EXCHANGER GASKET	4	●
NS	240011399	INSTRUCTIONS	1	●

125F/150F

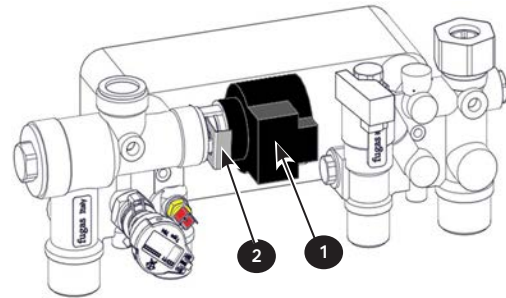
3 WAY VALVE MOTOR REPLACEMENT - KIT



**KIT 550003166 - 3 WAY VALVE MOTOR REPLACEMENT KIT
125/150 - KIT INCLUDES:**

POS	PN	DESCRIPTION	QTY	125	150
1	BD000005696391	3 VALVE MOTOR 120V	1	●	●
NS	BD710188501V	FIXING CLIP-3 WAY VALVE MOTOR	1	●	●
NS	240011406	INSTRUCTIONS	1	●	●

205F

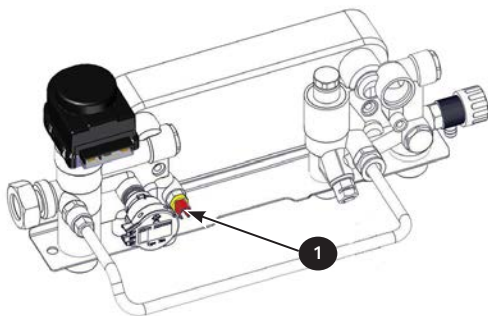


**KIT 550003460 - 3 WAY VALVE MOTOR REPLACEMENT KIT 205 -
KIT INCLUDES:**

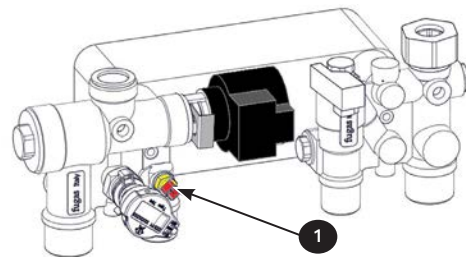
POS	PN	DESCRIPTION	QTY	165	205
1	240012162	3 VALVE MOTOR 110V	1	●	●
2	BD710188501V	FIXING CLIP 3 WAY VALVE MOTOR	1	●	●
NS	240012116	INSTRUCTIONS	1	●	●

SENSOR REPLACEMENT - KIT

150F



205F

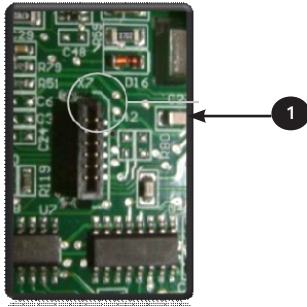


**KIT 550003159 - DHW TEMPERATURE SENSOR REPLACEMENT KIT
150 / 205- KIT INCLUDES:**

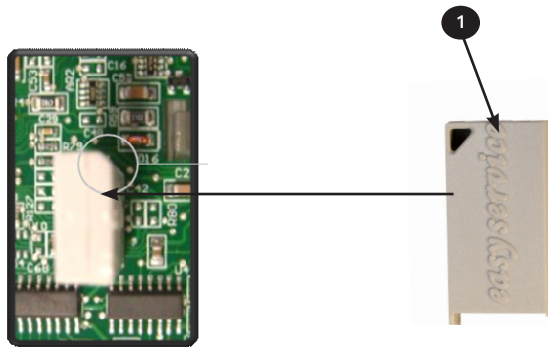
POS	PN	DESCRIPTION	QTY	150	205
1	BD710831501V	NTC SENSOR HONEYWELL-S011026	1	●	●
NS	BD710189001V	GASKET 9,7X15X2	1	●	●
NS	240011405	INSTRUCTIONS	1	●	●

NS= NOT SHOWN

PCB /CONTROL REPLACEMENT KIT



KIT 550003746 - PCB /CONTROL REPLACEMENT KIT W/O KEY - KIT INCLUDES:							
POS	PN	DESCRIPTION	QTY	125	150	165	205
1	BD7721032	PCB,B&P,HAGC03-BX04,LESS SVC KEY,0-10V	1	●	●	●	●
NS	240012706	INST,CTRL RPLMT,MAC/H,DCC/B 125-205,0-10V	1	●	●	●	●



KIT 550003191 - SERVICE KEY REPLACEMENT KIT - KIT INCLUDES:							
POS	PN	DESCRIPTION	QTY	125	150	165	205
1	BD710707701N	SERVICE KEY	1	●	●	●	●
NS	240012706	INST,CTRL RPLMT,MAC/H,DCC/B 125-205,0-10V	1	●	●	●	●



KIT 550003189 - DHW SENSOR REPLACEMENT KIT FOR INDIRECT STORAGE TANK 125 - KIT INCLUDES:					
POS	PN	DESCRIPTION	QTY	125	165
1	KHG714076810	KIT,DHW,SENSOR	1	●	●
NS	240008013	CLIP,MTG,HW,32002656	1	●	●
NS	240010821	THERMOPASTE,1OZ	1	●	●
NS	240011464	INSTRUCTIONS	1	●	●

NS= NOT SHOWN

FLUE GASKET CONNECTION REPLACEMENT - KIT

125/150

KIT 550003851 - FLUE CONNECTION GASKET REPLACEMENT 125/150 - KIT INCLUDES:				
PN	DESCRIPTION	QTY PER	125	150
BD710107601V	GASKET ADAPTER (FLUE)	1	●	●
BD710107401V	WASHER DIA 60 OUTLET BEND (FLUE ADAPTER)	1	●	●
BD710107101V	WASHER DIA 100 OUTER ADAPTER SEAL (FLUE ADAPTER)	1	●	●
BD710107801V	O-RING 8.73 X 1.78	2	●	●
BD7103005V	GASKET, RING, COVER PLATE, TWIN PIPE	1	●	●
BD710300601V	COVER PLATE, TWIN PIPE	1	●	●
240011404	INSTRUCTIONS - 240011404	1	●	●

165/205

KIT 550003848 - FLUE CONNECTION GASKET REPLACEMENT 165/205 - KIT INCLUDES:				
PN	DESCRIPTION	QTY PER	125	150
BD5410850	GASKET ADAPTER (FLUE) 80MM	1	●	●
BD5410860	GASKET ADAPTER (FLUE) 125MM	1	●	●
BD000005670522	GASKET SEALING TOP, 80MM	1	●	●
BD000005410712	SEAL, FLUE ADAPTER	1	●	●
BD710107801V	O-RING 8.73 X 1.78	2	●	●
BD7103005V	GASKET, RING, COVER PLATE, TWIN PIPE	1	●	●
BD710300601V	COVER PLATE, TWIN PIPE	1	●	●
240011727	INSTRUCTIONS - 240011404	1	●	●

FLUE CONNECTION REPLACEMENT - KITS

125/150

KIT 550003158 - FLUE CONNECTION REPLACEMENT 125/150 - KIT INCLUDES:				
PN	DESCRIPTION	QTY PER	125	150
BD710107601V	GASKET ADAPTER (FLUE)	1	●	●
BD710107401V	WASHER DIA 60 OUTLET BEND (FLUE ADAPTER)	1	●	●
BD710107101V	WASHER DIA 100 OUTER ADAPTER SEAL (FLUE ADAPTER)	1	●	●
BD711085101V	FLUE ADAPTER 60/100	1	●	●
BD7718578	TEST POINT PLUG SCREW HOLE	2	●	●
BD710107801V	O-RING 8.73 X 1.78	2	●	●
BD711088501V	PRESSURE CONNECTION L4	2	●	●
240011378	LABEL TEST POINT	1	●	●
240011404	INSTRUCTIONS - 240011404	1	●	●

165/205

KIT 550003264 - FLUE CONNECTION REPLACEMENT 165/205 - KIT INCLUDES:				
PN	DESCRIPTION	QTY PER	165	205
BD000005670522	FLUE ADAPTER ASSEMBLY	1	●	●
BD000005410712	SEAL, FLUE ADAPTER	1	●	●
BD7718578	TEST POINT PLUG SCREW HOLE	2	●	●
BD710107801V	O-RING, 8.73X1.78	2	●	●
240011727	INSTRUCTIONS	1	●	●

COMBUSTION CHAMBER CLEANING KIT

KIT 550003212 - COMBUSTION CHAMBER CLEANING KIT			125/150 - KIT			
INCLUDES:						
PN	DESCRIPTION	QTY	125	150	165	205
240011636	GLOVE, LATEX, BLK,LRG	4	●	●	●	●
240011637	SHIELD, HTEX, CLING	1	●	●	●	●
240011639	BAG, POLY 12"X 26"	4	●	●	●	●
240011640	BRUSH, 2"X", W HANDLE 1" STIFF BRISTLES	1	●	●	●	●
BD710111502V	COMBUSTION CHAMBER GASKET	1	●	●	●	●
BD722003801V	SEAL,HTEX,DOOR, FRONT	1	●	●	●	●
BD000005212781	SEAL,FBRGLS,ROPE	1	●	●	●	●
BD710061402V	O-RING 18X3 NBR	1	●	●	●	●
240011648	INSTRUCTIONS	1	●	●	●	●

SEALS, CLIPS, ETC. - KIT

KIT 550003150 - SEALS, CLIPS, ETC - KIT INCLUDES:						
PN	DESCRIPTION	QTY PER	125	165	150	205
BD721623501V	BD, FIXING CLIP - HEX PIPES	2	●	●	●	●
BD710963001V	BD,O-RING 21,5X3 EP7	2	●	●	●	●
BD722275601V	BD,O-RING 18.3X3.6 R15-	4			●	
BD5404520	BD,DHW PLATE EXCHANGER GASKET	4				●
BD710188902V	BD, FIXING CLIP	2	●		●	●
BD710189001V	BD,GASKET 9,7X15X2	1			●	●
BD710113601V	BD,GASKET G1/2 AFM	2	●		●	
BD710113001V	BD,GASKET G3/4 17X24X2	2	●	●	●	●
BD710188501V	BD, FIXING CLIP - 3WAY VALVE MOTOR	1	●		●	
BD710108401V	BD,ANELLO OR 11,91X2,62	3	●			
BD000005411331	BD,O-RING 20,24X2,62	4	●	●	●	●
BD710188701V	BD, FIXING SPRING	1			●	
BD710107801V	BD,O-RING 8,73X1,78	5	●		●	
BD710039501V	BD, HYDRAULIC GROUP GASKET	5	●		●	●
BD710110901V	BD,O-RING 40,95X2,62	1	●		●	
BD000005402141	BD,PUMP GASKET G1 1/2,380	2		●		●
BD000005405001	BD,GASKET G1 22X30,3X2 WRC,240/380	1		●		●
BD710011401V	BD,CLIP - FIXING GAS PIPE	1	●	●	●	●
BD710045702V	BD,OR,9,19X2,62,EDPM	1		●		
BD710061402V	BD,O-RING 18X3 NBR	1	●	●	●	●
BD710654101V	BD,CLIP D10,BITRON,240/380	1		●		
BD710111001V	BD,SPRING CLIP BIFM182	2	●	●	●	●
BD710151101V	BD,SPRING CLIP BIFM252	2	●	●	●	●
BD710397801V	BD,GSKT,G1",31X42,FOAM,240/380	2		●		●



2201 DWYER AVENUE, UTICA, NY 13501
 TEL. 800 253 7900
WWW.ECRINTERNATIONAL.COM

ALL SPECIFICATIONS SUBJECT TO CHANGE WITHOUT NOTICE.
 ©2020 ECR INTERNATIONAL, INC.