



Utica Boilers MAC-150 - Submittal

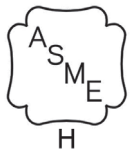


Engineer: _____

Project Name: _____

Project Location: _____

Contractor: _____



APPLICATION:

Modulating Gas fired Combi boiler for indoor installation. Approved for closet or alcove installations. For use with natural or liquefied petroleum (LP/Propane) fuel gases. Wall mounted – optional floor stand available. All boilers are factory assembled with controls and wiring and test fired to ensure dependable performance. Boiler shall be certified for Direct Vent applications only.

CERTIFICATION AND APPROVALS:

Stainless Steel heat exchanger is manufactured and tested in accordance with American Society of Mechanical Engineers (ASME) and certified by Canadian Standards Association (CSA), AHRI, NRCAN. Registered with National Board BPVI, and Massachusetts Board. Stainless steel heat exchanger is tested for maximum allowable working pressure of 50 psig in accordance with ASME boiler and pressure vessel code, section IV, rules for construction of heating boilers. A 30 psig safety relief valve is shipped standard.

BOILERS INCLUDE:

- Wall mount bracket, mounting hardware and actual size Wall Mount Template
- Boiler is equipped with internal stainless steel brazed plate heat exchanger for potable hot water and automatic 3 way diverting valve to allow Domestic Hot Water Priority operation.
- Boiler includes factory installed and wired 2 speed circulator pump.
- External Primary/Secondary manifold with quick connections shipped with boiler.
- Digital Boiler Control:
 - ▶ Control is Self Commissioning, auto adjusts to fuel type and self-calibrates at start-up for correct fuel/air mixture. Control continuously monitors flame signal and adjusts the gas valve during normal operation for maximum efficiency.
 - ▶ Control system is PCB integral controller with LCD digital/graphical display.
 - ▶ Control senses supply water temperature and adjusts the boiler firing rate to deliver the amount of heat needed.
 - ▶ Control can sense and display supply water temperature and indicate when boiler is in central heating or domestic water mode.
 - ▶ Control has selectable DHW preheat mode. Preheat mode will maintain brazed plate heat exchanger temperature to speed DHW delivery.



Manufactured by:
ECR International Inc.
2201 Dwyer Avenue, Utica, NY 13501
Tel. 800 253 7900
www.ecrinternational.com
PN 240011522 REV. C [01/31/2019]



- ▶ Control can accept an optional proprietary Outdoor Air sensor and has field adjustable reset curves.
- ▶ Control displays Error Codes and Diagnostic information.
- Boiler Combustion System:
 - ▶ The Gas valve is a modulating valve capable of firing from:
 - 153,000 BTU input down to 22,000 BTU input in Combi mode (7:1 turn down).
 - 125,000 BTU input down to 22,000 BTU input in Heat mode (5.7:1 turn down).
 - ▶ Induced draft blower is variable speed controlled by the PCB.
 - ▶ Burner is constructed of Iron-Chromium stainless steel.
 - ▶ Ignition system shall incorporate a Direct Spark Igniter and a separate Flame Sensing rod.
- Heat Exchanger:
 - ▶ Boiler's primary heat exchanger is constructed of Iron-Chromium stainless steel.
 - ▶ DHW brazed plate is constructed of Stainless Steel.
- Electrical
 - ▶ 120 volts AC, 60 Hertz, 1-phase; less than 12 amps (15 amp circuit recommended).
 - ▶ Factory wired 3-foot appliance cord with male plug end.
 - ▶ Low voltage terminal strip for Thermostat, and Outdoor Air Sensor.
- Other:
 - ▶ Field supplied Anti-Scald valve is required for Domestic Hot Water Supply.
- Warranty
 - ▶ Factory Standard Warranty is 10 years on heat exchanger, one year on parts.
 - ▶ Warranty is extended to 10 years on heat exchanger, two years parts plus two years labor upon online warranty registration and completion of contractor registration.
- Optional Equipment
 - ▶ Outdoor Air Sensor Kit
 - ▶ Coaxial and Two-pipe venting components
 - ▶ Floor Stand Kit



Size	Input Rate (MBH) 0-2000ft	Heating Capacity (MBH) 0-2000ft	Net AHRI Rating, Water (MBH) 0-2000ft	Vent Diameter O.D. Coaxial	Vent Diameter 2-pipe	AFUE (%)
MAC-150 Heating Mode	125,000	113,000	98,000	3.93"	3"	95.0
MAC-150 DHW Mode	153,000	136,000	N/A	3.93"	3"	95.0

Clearances (1) Required distances measured from boiler. (2) Service, proper operation clearance recommendation. * Allowance for piping at bottom of boiler not included		Combustible Materials (Required) (1)	Service (1) (2)			
	Top	0" (0 cm)	8.66" (22 cm)			
	Left Side	1.77" (4.5 cm)	1.77" (4.5 cm)			
	Right Side	1.77" (4.5 cm)	1.77" (4.5 cm)			
	Front	1.57" (4.0 cm)	1.77" (4.5 cm)			
	Back	0" (0 cm)	0" (0 cm)			
	Bottom	0" (0 cm)	9.84" (25 cm)			
	Combustion Air/Venting Piping	0" for Concentric	6" (15.3 cm)			
Connections MAC-150	1¼" NPT Copper Stub Heating Supply & Return, Gas Connection 3/4" NPT (Female)					
Connections MAC-150 DHW	1/2" Sweat Inlet & Outlet					
Electrical	120 Volts AC, 60 Hertz, 1 phase, less than 12 amps (15 amp circuit recommended)					
DHW Flow Rate	3.5 GPM @ 70°F					
Dimension/Weights	Model	"Width"	"Height"	"Depth"	"Weight"	
	MAC-150	17-23/32"	30"	13-19/32"	103	

Manufactured by:
 ECR International Inc.
 2201 Dwyer Avenue, Utica, NY 13501
 Tel. 800 253 7900
www.ecrinternational.com
 PN 240011522 REV. C [01/31/2019]



MAC-150	
Central Heating (Sealed System)	
Max System Pressure	43.00 psi / 2.96 bar
Min System Pressure	7.25 psi / 0.50 bar
Max System Temperature	176°F / 80°C
Pressure Relief Valve Setting	30.00 psi / 2.11 bar
Flow Connection	3/4" /22.2 mm Sweat
Return Connection	3/4" /22.2 mm Sweat
Relief Valve Connection	3/4" /22.2 mm NPT
Recommended Operational System Pressure	21.7 psi / 1.5 bar

MAC-150	
Domestic Hot Water	
Max Inlet Pressure	116.00 psi / 8 bar
Min Inlet Pressure	2.9 psi / 0.2 bar
Min DHW Flow Rate	0.55 gpm / 2.50 l/min
Cold Water Inlet Connection	1/2" /15.9 mm
DHW Outlet Connection	1/2" /15.9 mm
Max DHW Temperature	140°F/60°C
DHW Water Content	0.05 gal/ 0.23 L

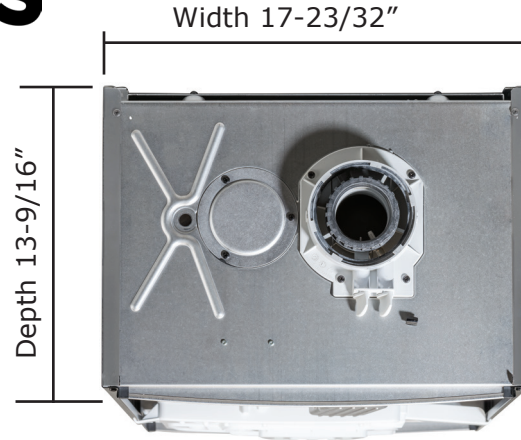
Venting

Approved Polypropylene Manufacturers

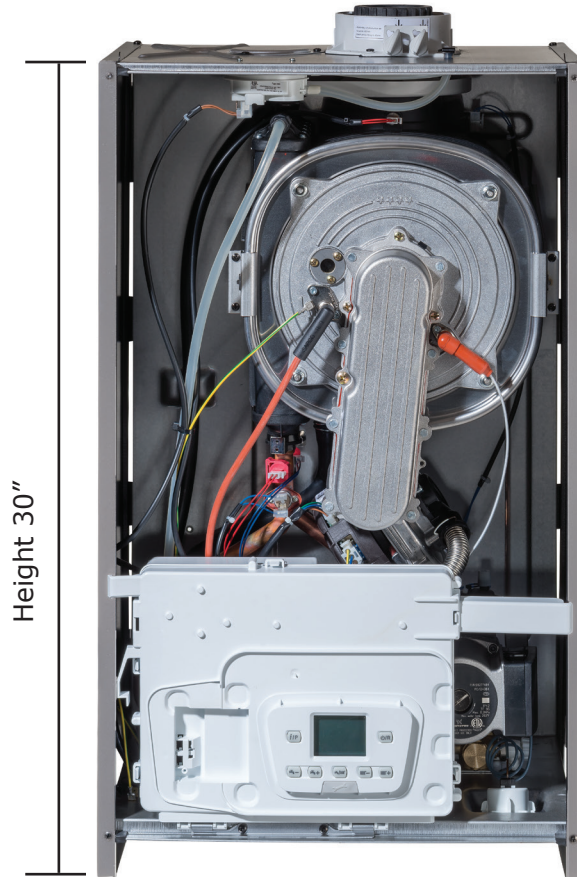
- * Natalini
- * DuraVent®
- * Centrotherm
- * Z-Flex®

Note: Maximum equivalent length may vary between manufacturers.

Vent Material Options	
125 & 150	
1	4" / 2" [100 mm / 50 mm] polypropylene coaxial.
2	3" [80mm] polypropylene twin pipe. Shall be polypropylene on BOTH intake and exhaust.
3	3" [80mm] flexible polypropylene for chimney exhaust vent, shall have rigid 3" [80mm] polypropylene on air intake.
4	3" [80mm] Twin pipe CPVC. PVC optional on intake ONLY.
* Note: Adapters and fittings used with all vent systems shall be from same manufacturer and compatible with the vent pipe. See list for approved Manufacturers.	



View - Front of Boiler



2201 Dwyer Avenue, Utica, NY 13501
Tel. 800 253 7900
www.ecrinternational.com

All specifications subject to change without notice.
©2018 ECR International, Inc.